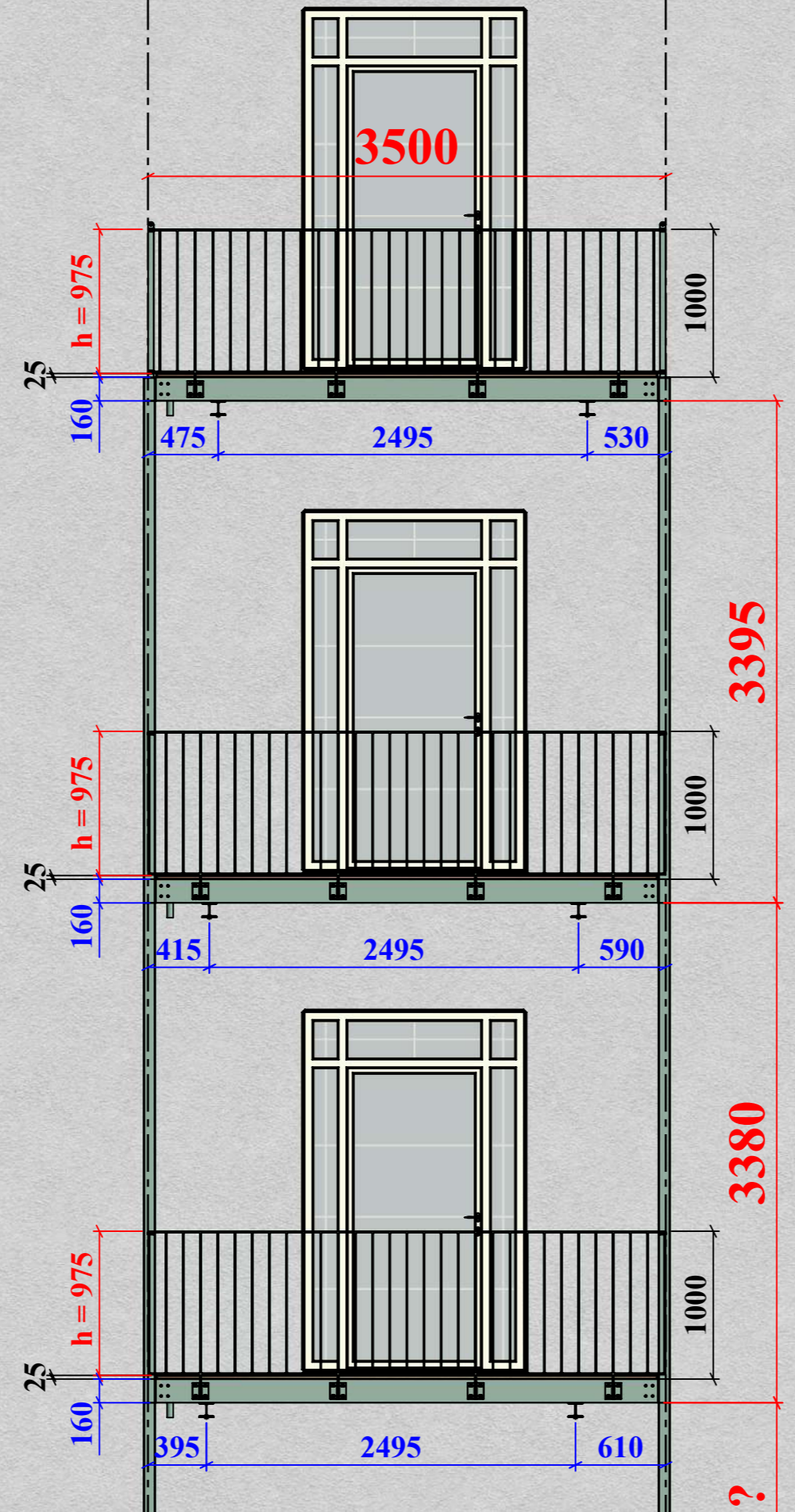
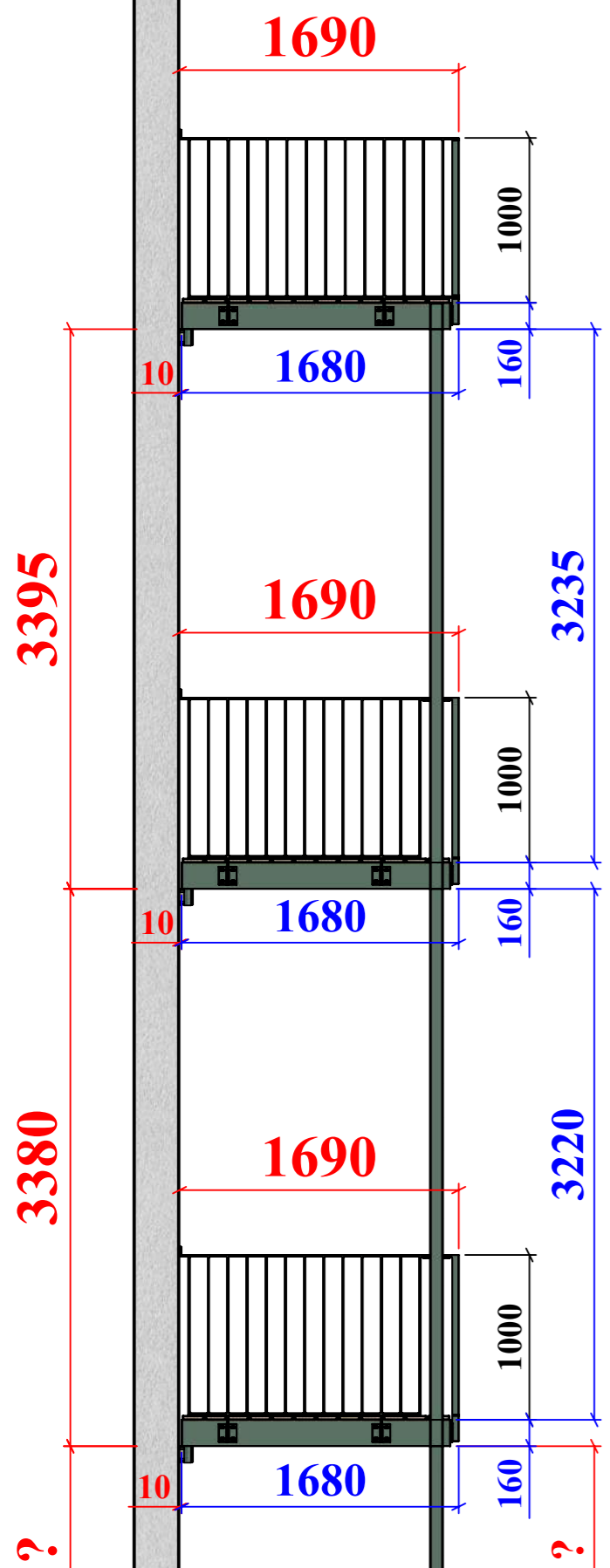
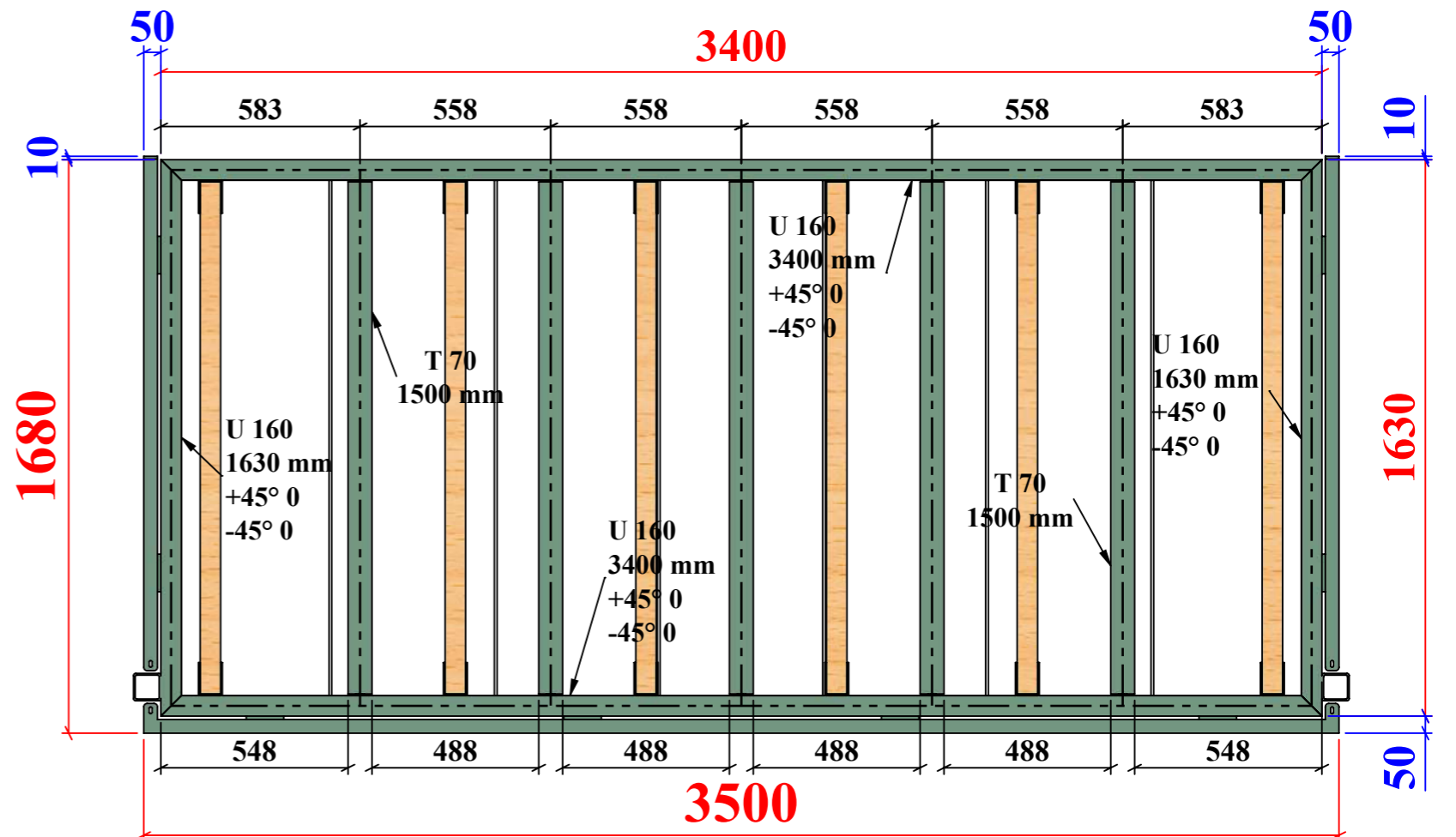
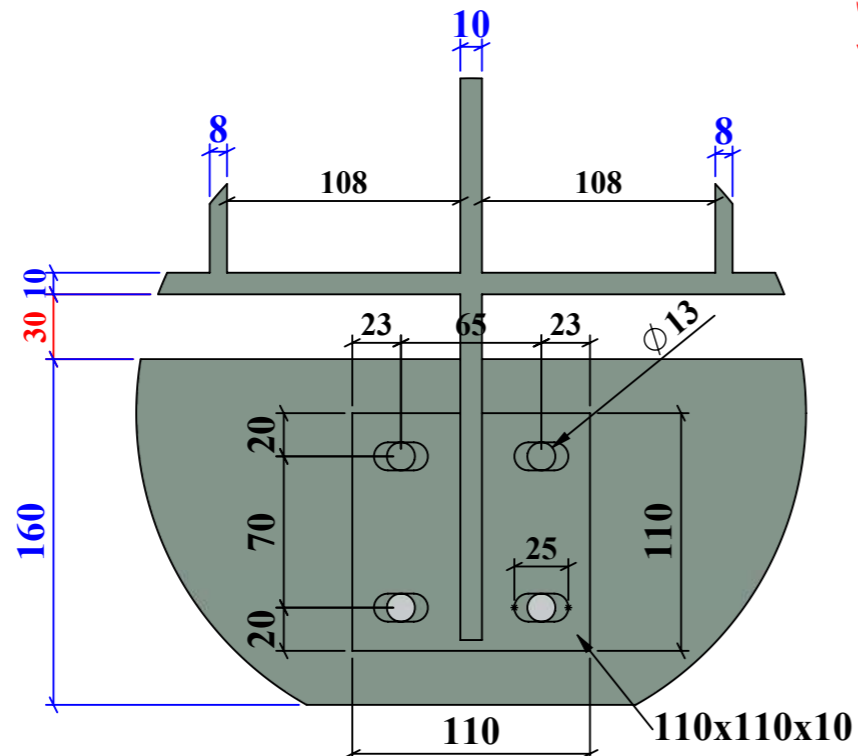
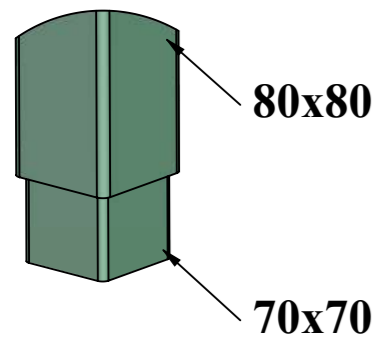
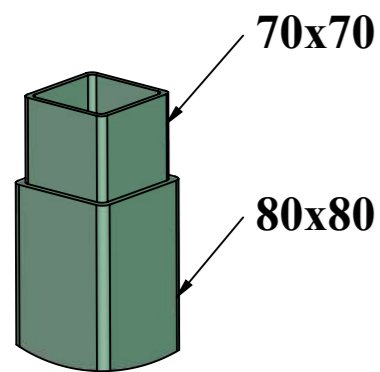
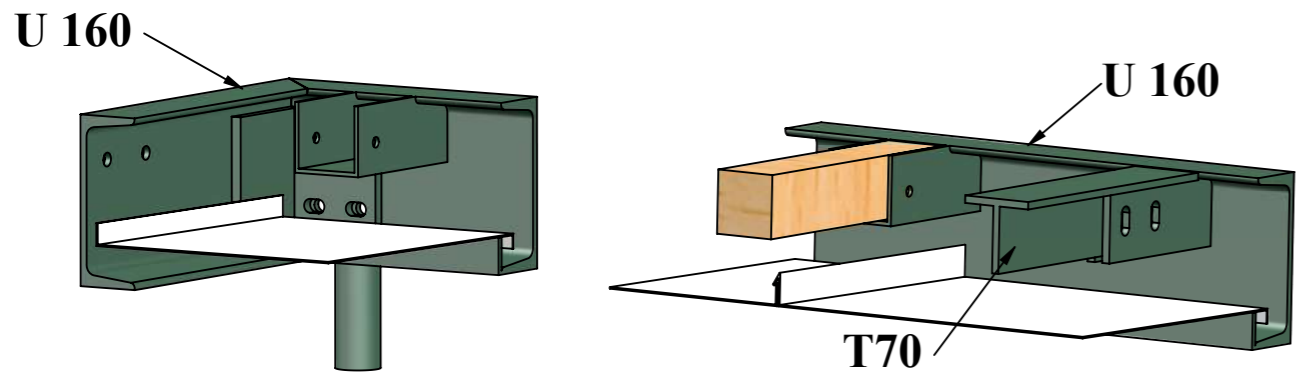
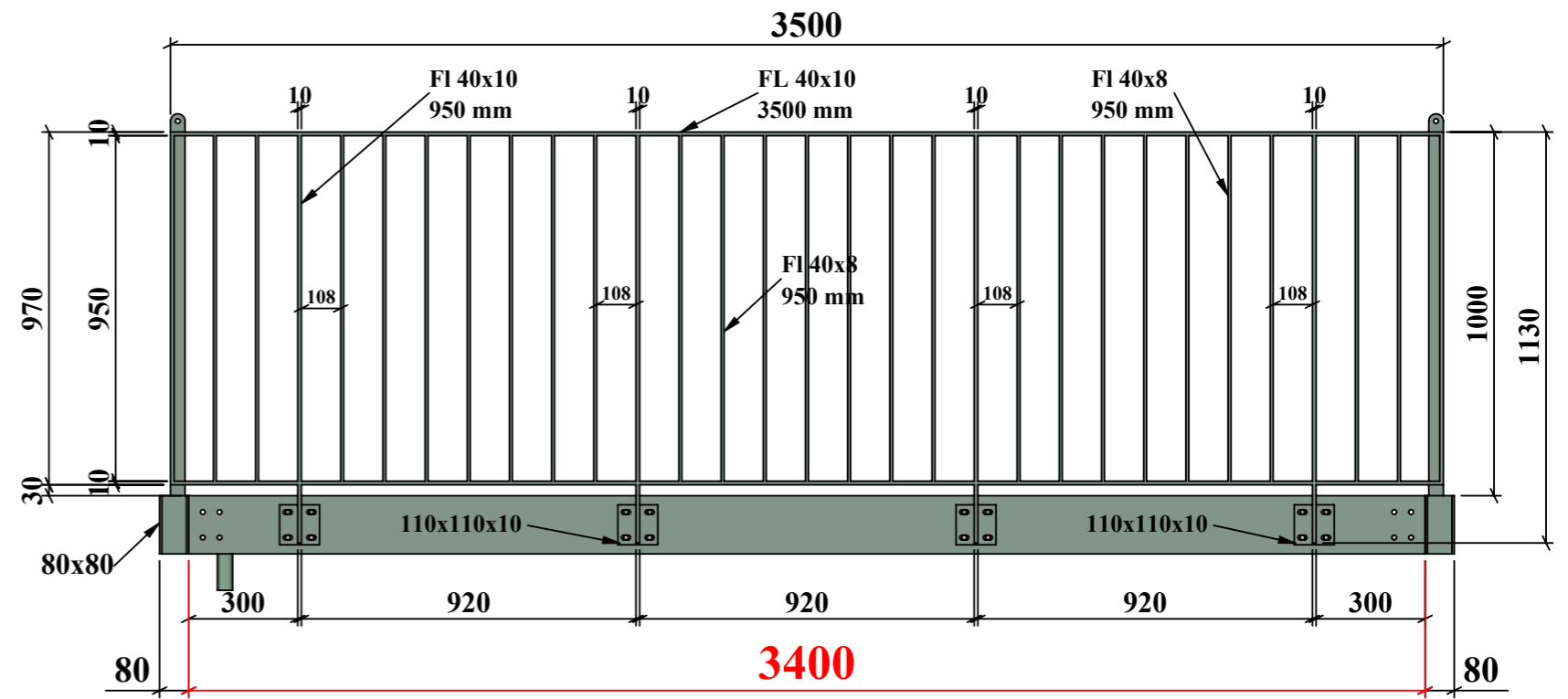
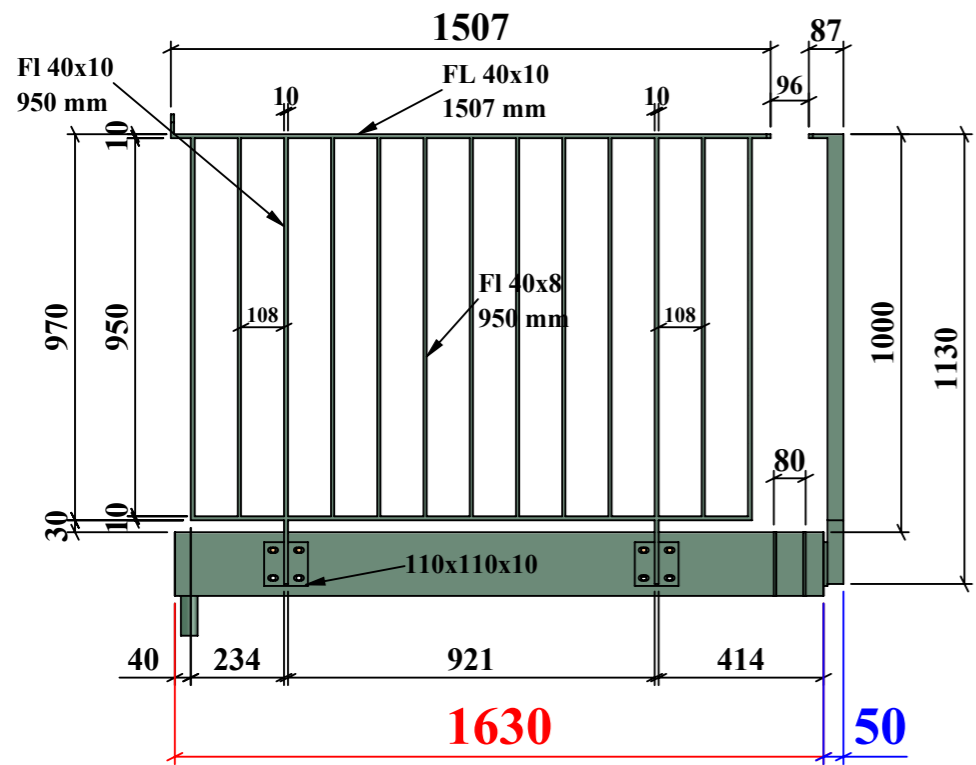


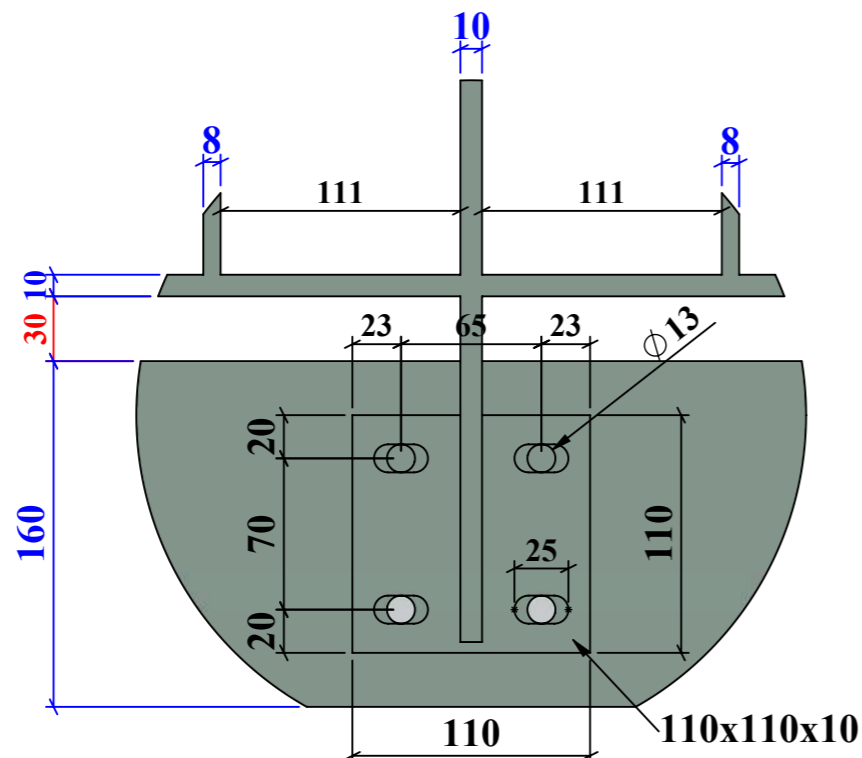
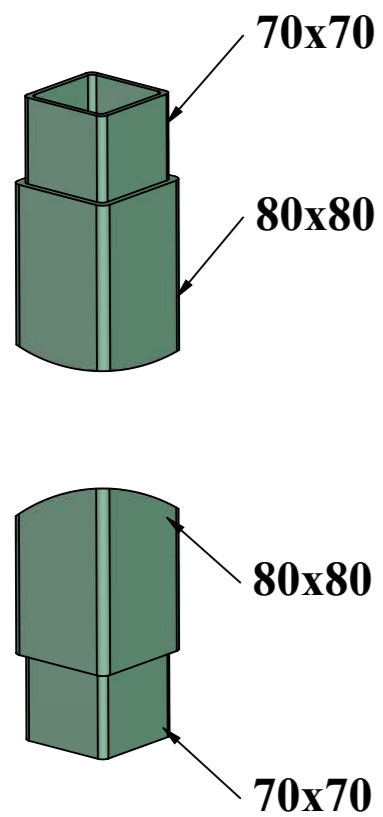
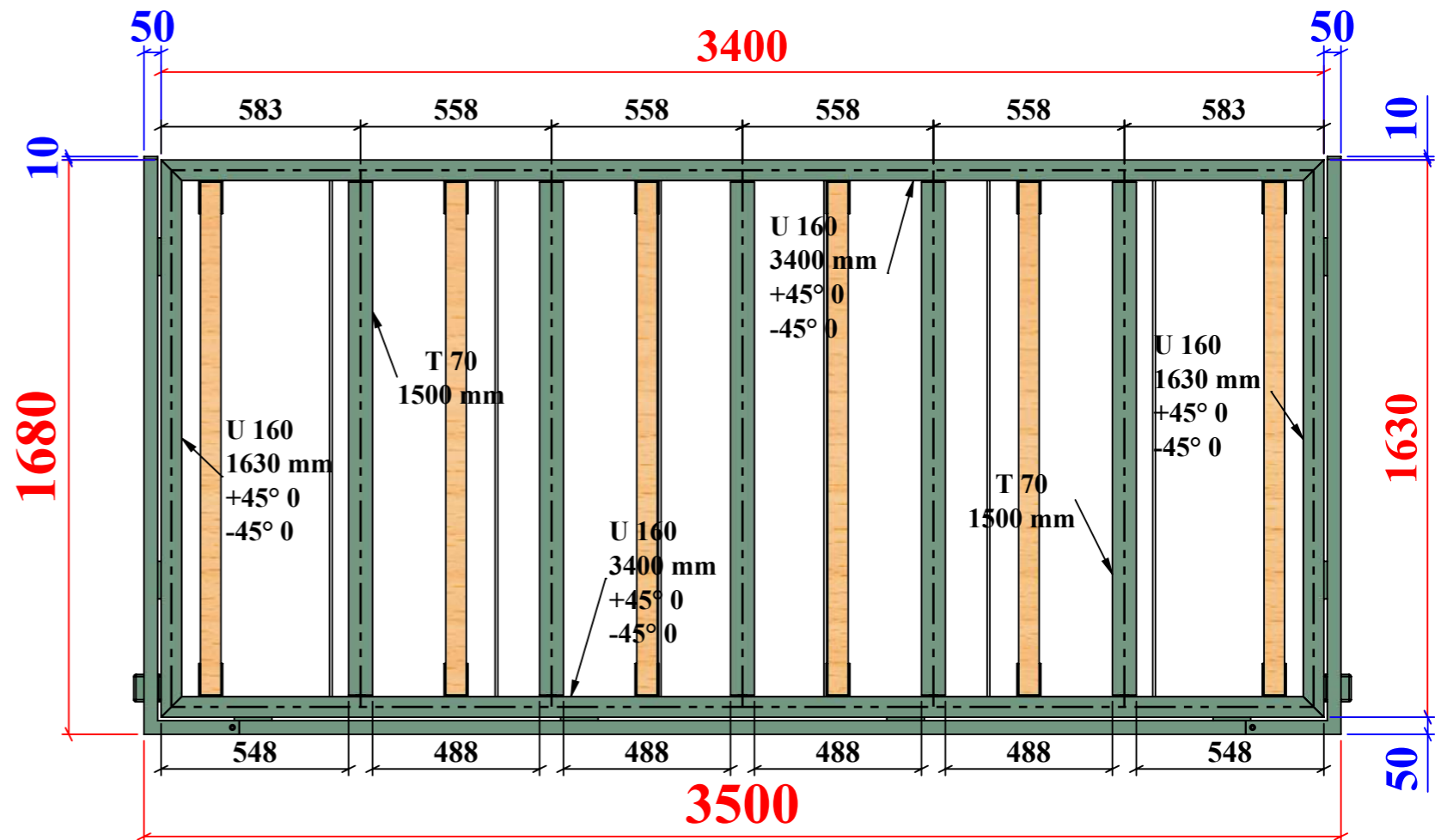
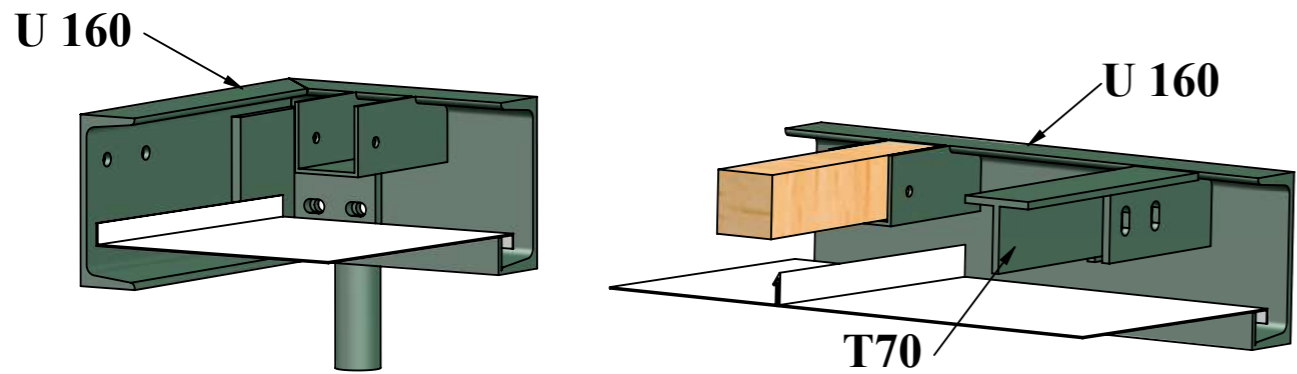
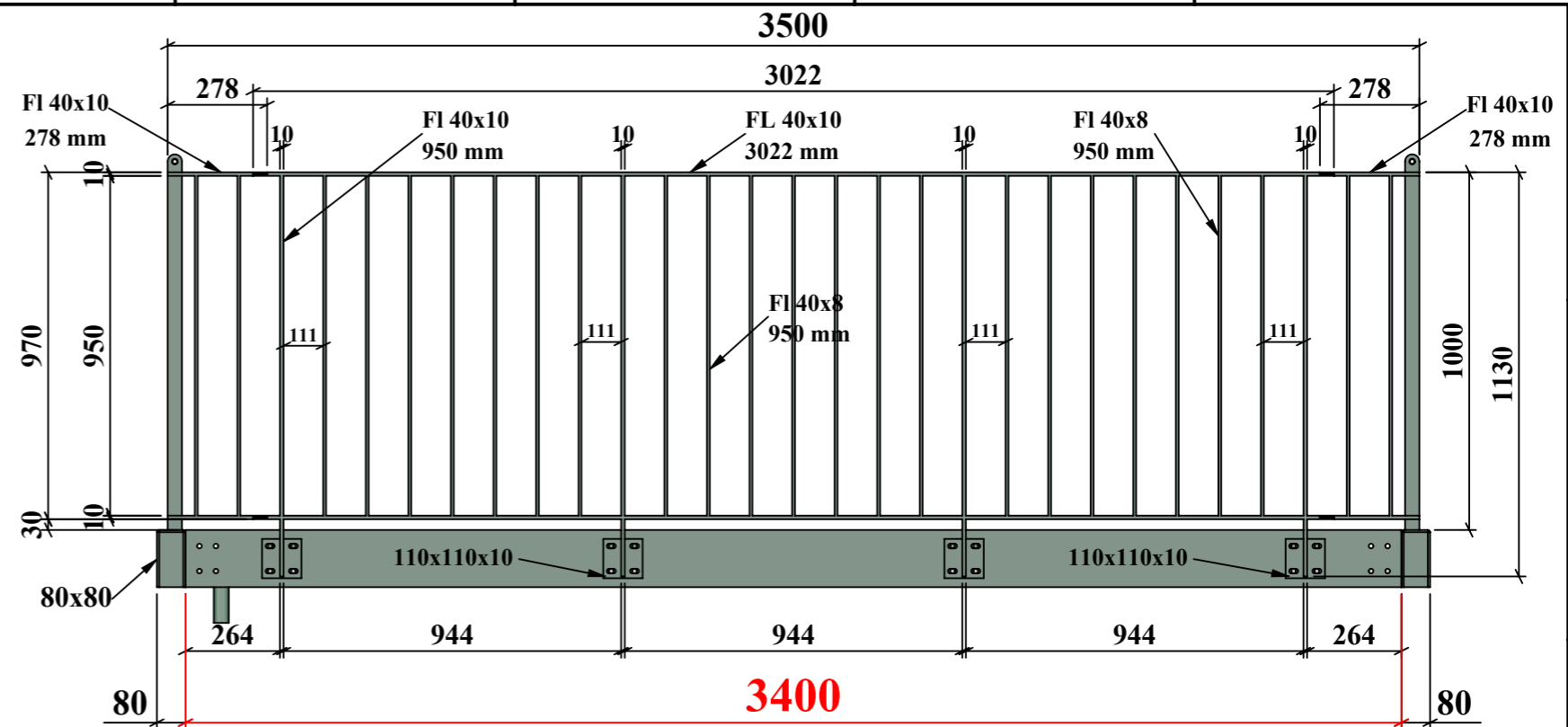
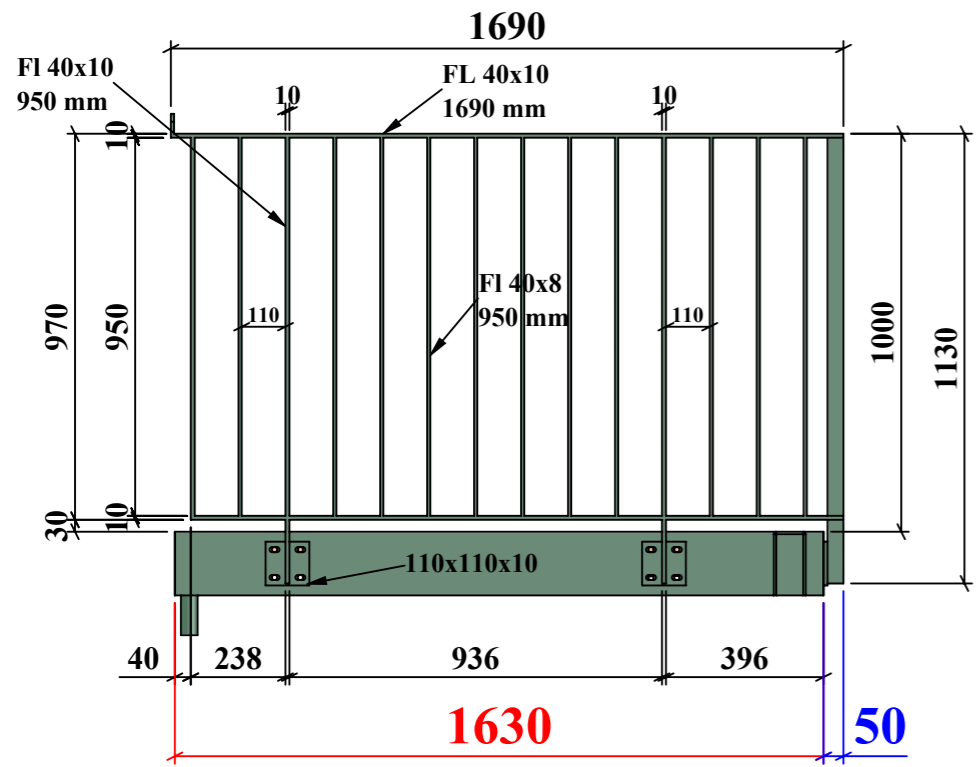
Name: <b>F. Zylfiu</b>		Date: <b>12.12.2025</b>		Firme: <b>Dekor M&amp;V</b>	
DRAWN		SIGNATURE		TITLE: <b>Humbold Str. 8</b>	
CHK'D				<b>02763 Zittau</b>	
APPV'D				DWG NO.	
MFG				<b>Balkon Typ_2</b>	
Q.A				A3	



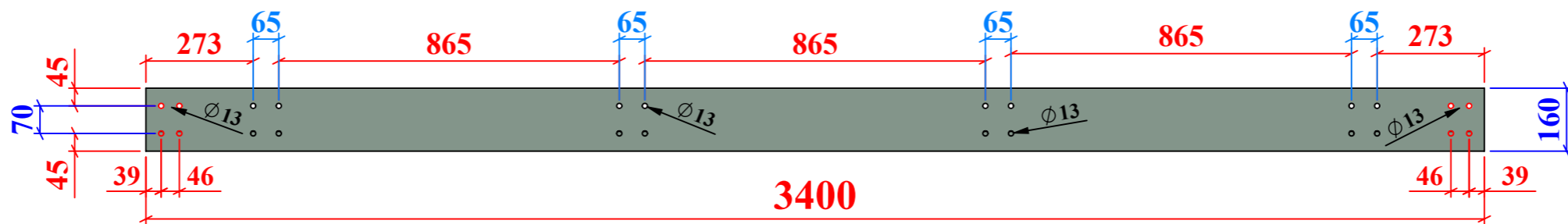
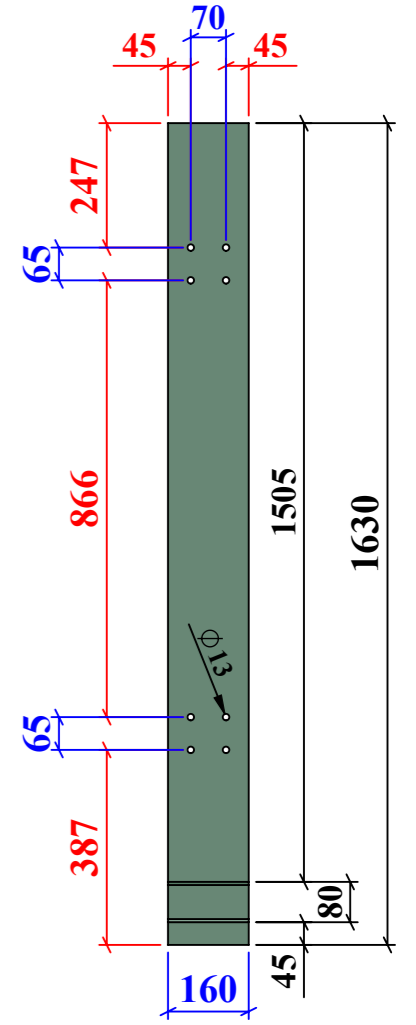
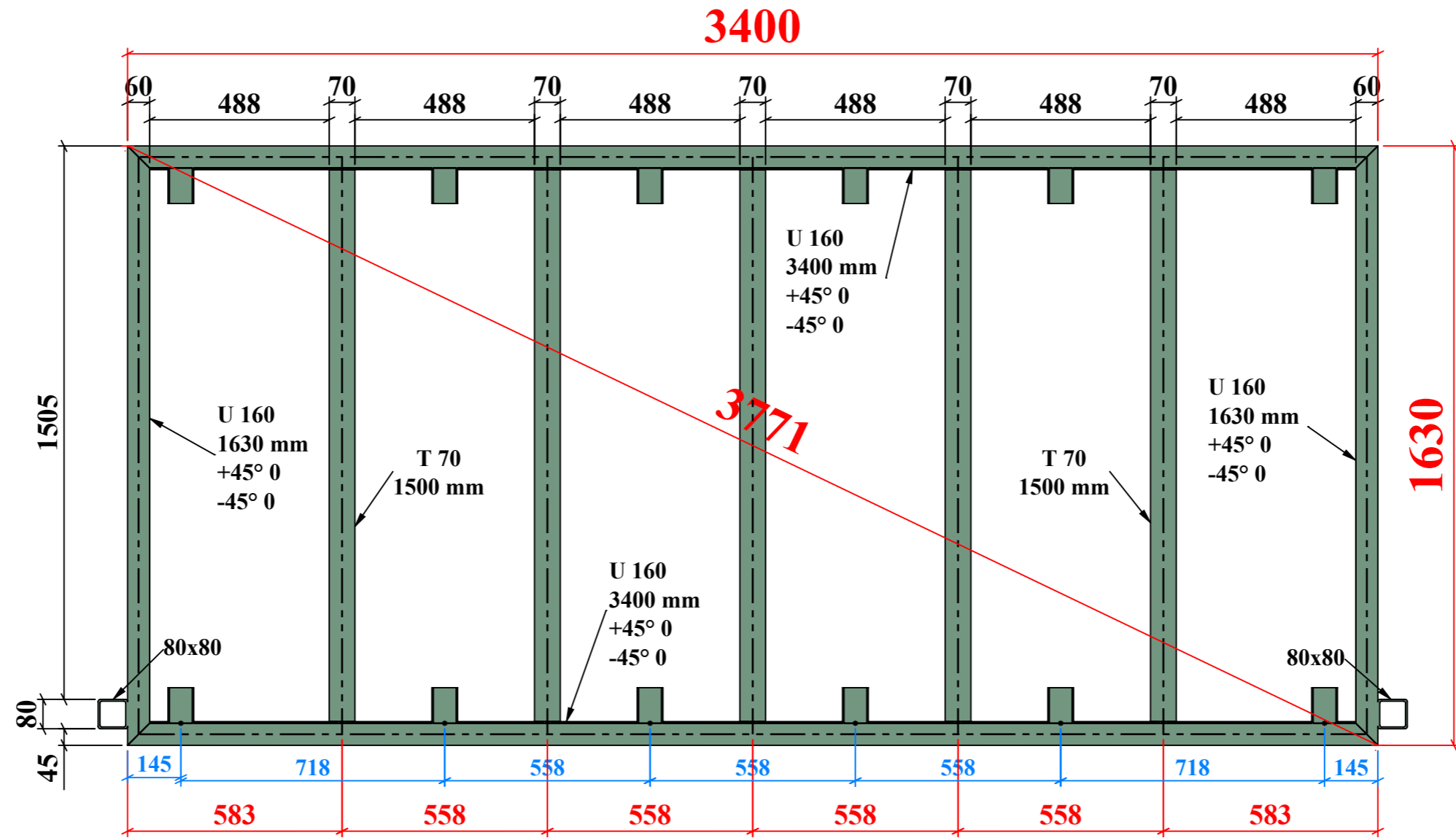
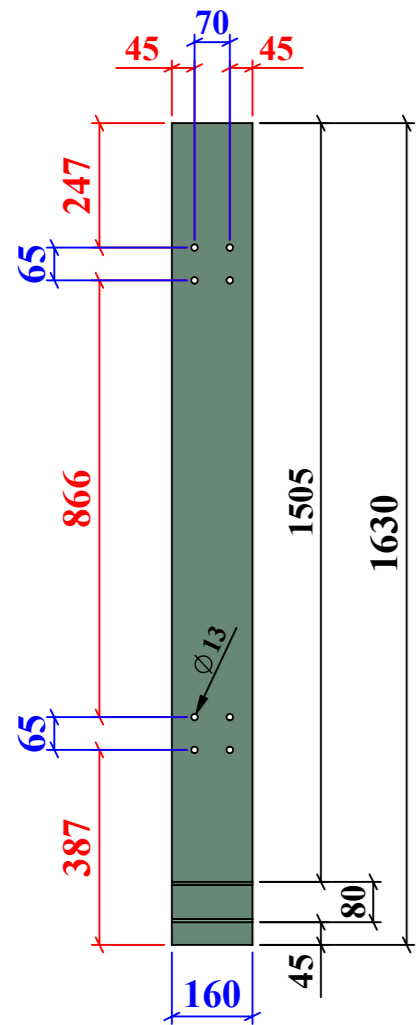
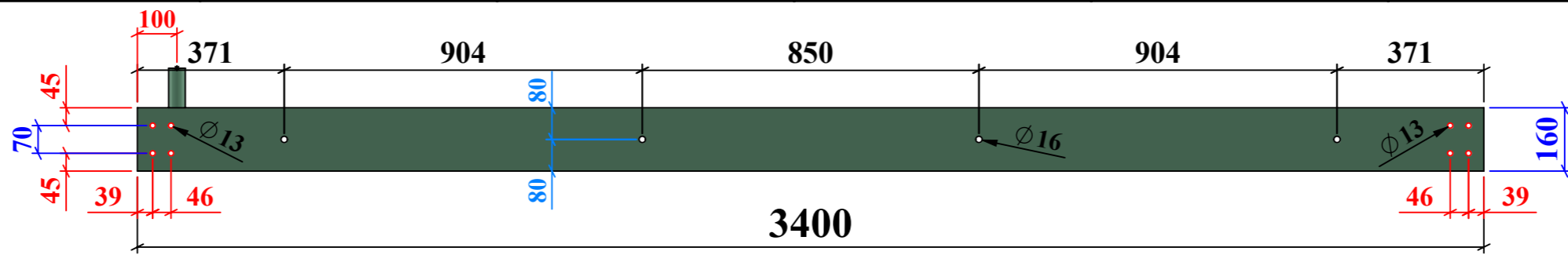
Name: <b>F. Zylfiu</b>		Date: <b>12.12.2025</b>		Firm: <b>Dekor M&amp;V</b>	
DRAWN		SIGNATURE		TITLE: <b>Humbold Str. 8</b>	
CHK'D		MATERIAL		<b>02763 Zittau</b>	
APPV'D		DWG. NO.		<b>Balkon Typ_2</b>	
MFG					
Q.A					
					A3



Name: <b>F. Zylfiu</b>		Date: <b>12.12.2025</b>		Firm: <b>Dekor M&amp;V</b>	
DRAWN		SIGNATURE		TITLE: <b>Humbold Str. 8</b>	
CHK'D				<b>02763 Zittau</b>	
APPV'D				DWG. NO.	
MFG				<b>Balkon Typ_2 - Kati_I+II</b>	
Q.A				A3	

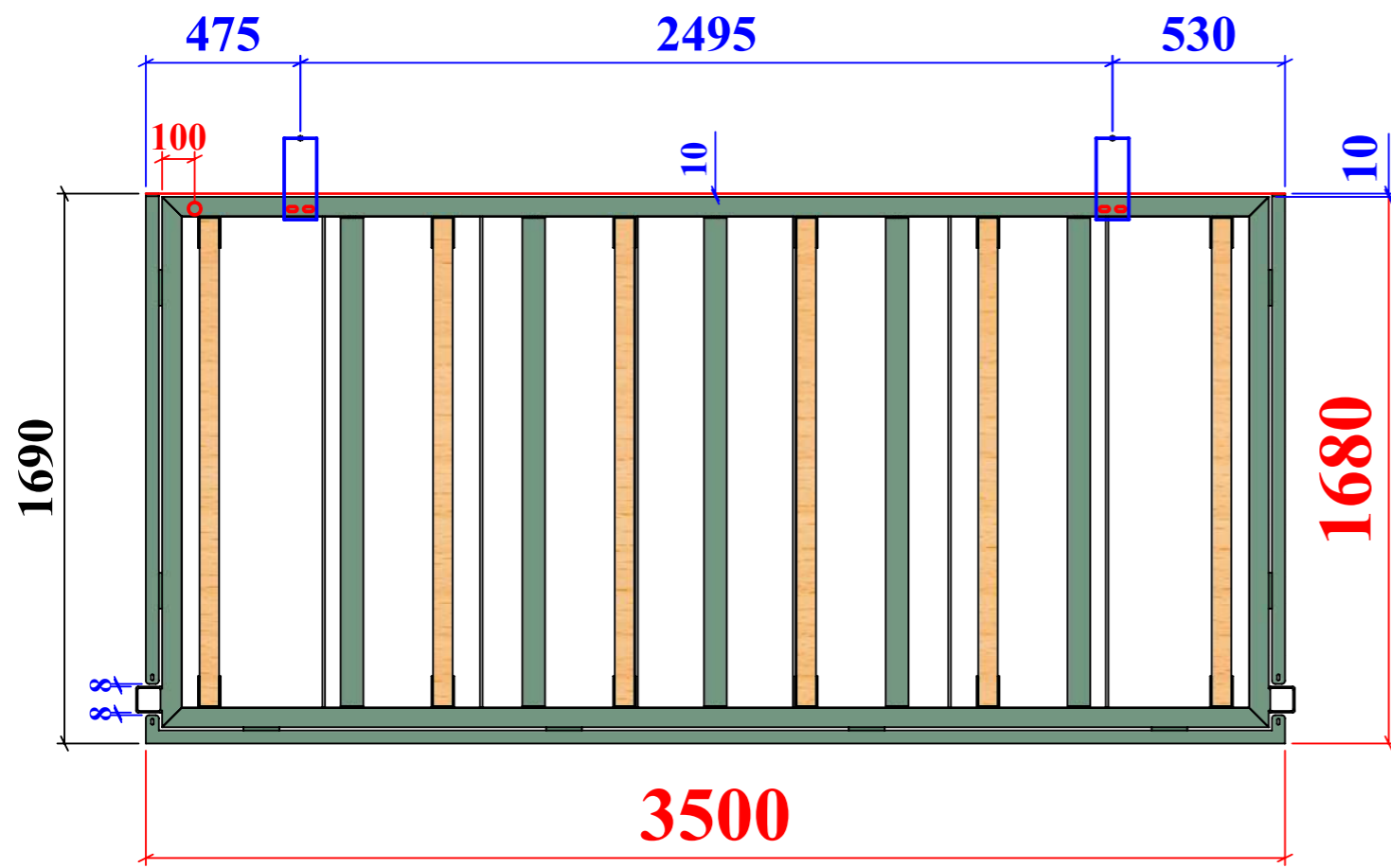


Name: <b>F. Zylfiu</b>		Date: <b>12.12.2025</b>		Firm: <b>Dekor M&amp;V</b>	
DRAWN		SIGNATURE		TITLE: <b>Humbold Str. 8</b>	
CHK'D				<b>02763 Zittau</b>	
APPV'D				DWG. NO. <b>Balkon Typ_2 - Kati_III</b>	
MFG				A3	
Q.A.					

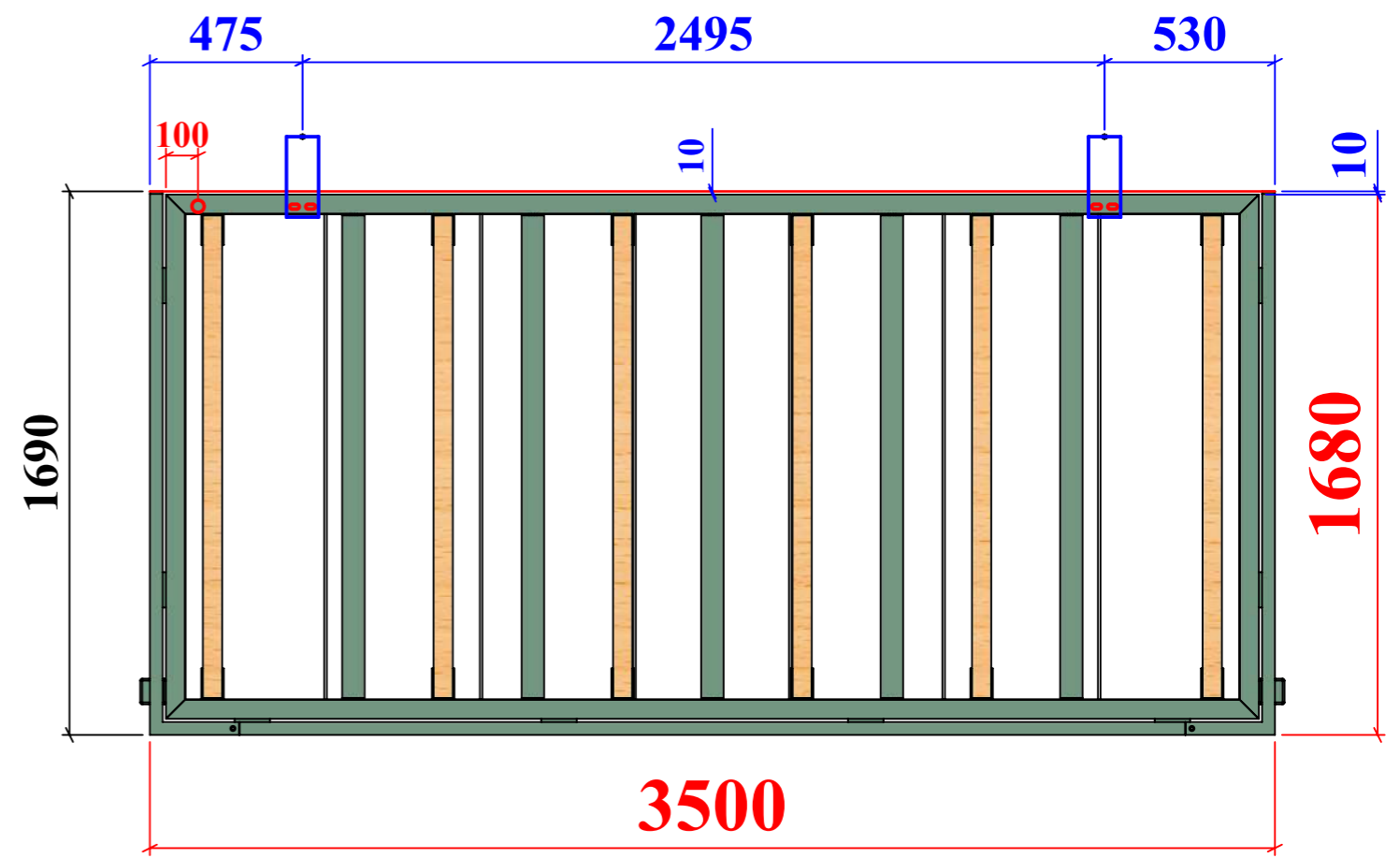


Name: <b>F. Zylfiu</b>		Date: <b>12.12.2025</b>		Firma: <b>Dekor M&amp;V</b>	
DRAWN		SIGNATURE		TITLE: <b>Humbold Str. 8</b>	
CHK'D				<b>02763 Zittau</b>	
APPV'D				DWG. NO.	
MFG				<b>Balkon Typ_2 - Kati_I+II</b>	
Q.A				A3	

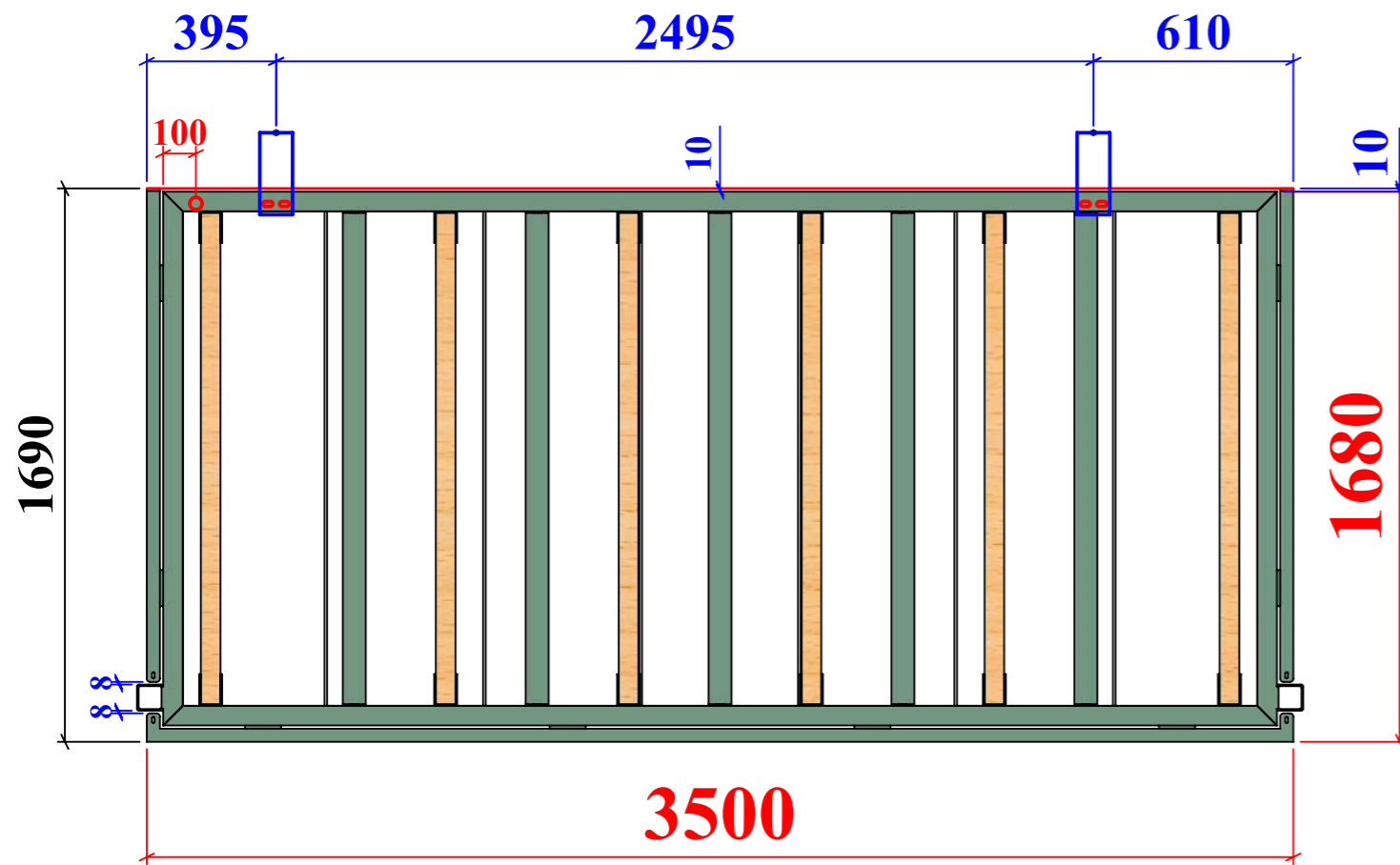




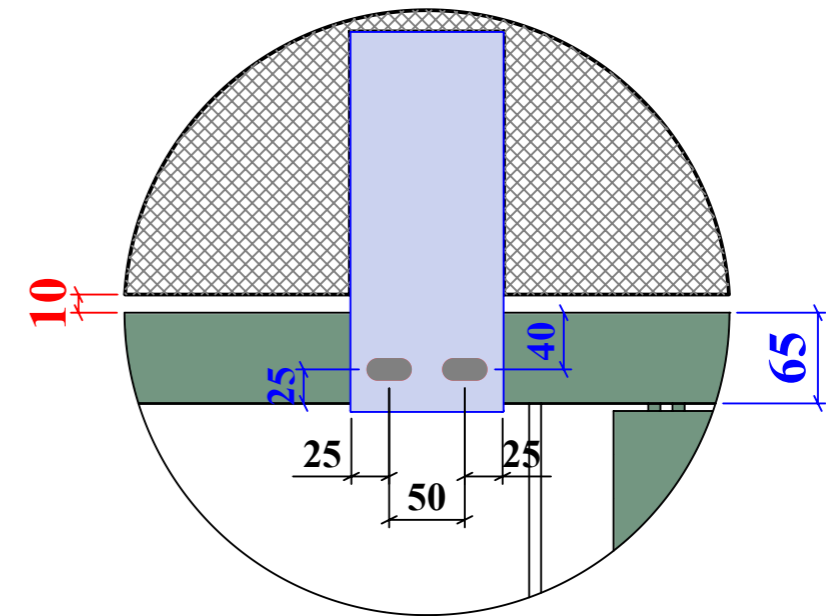
**Kati\_II**



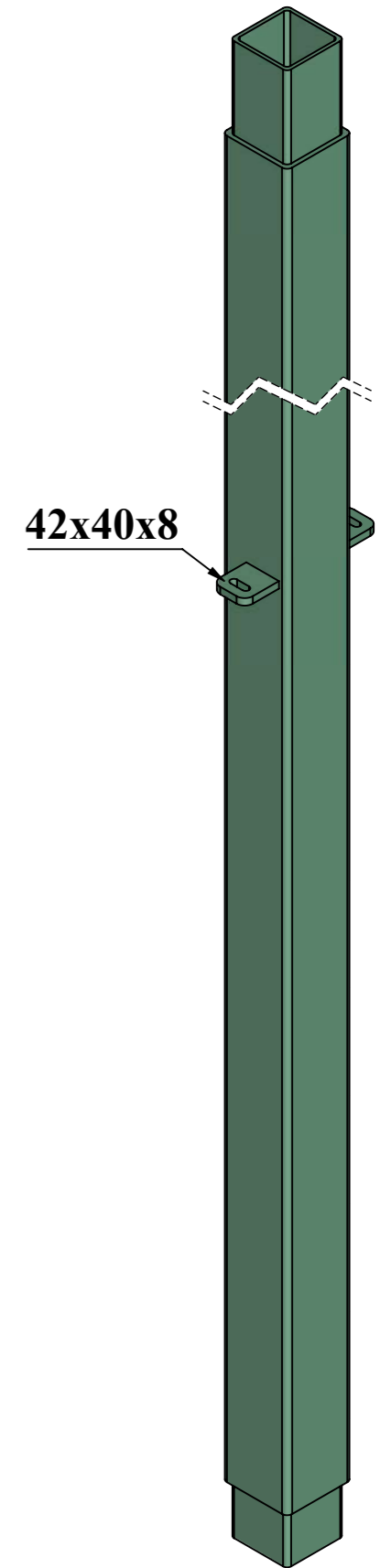
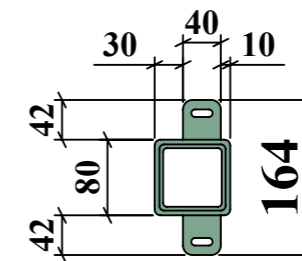
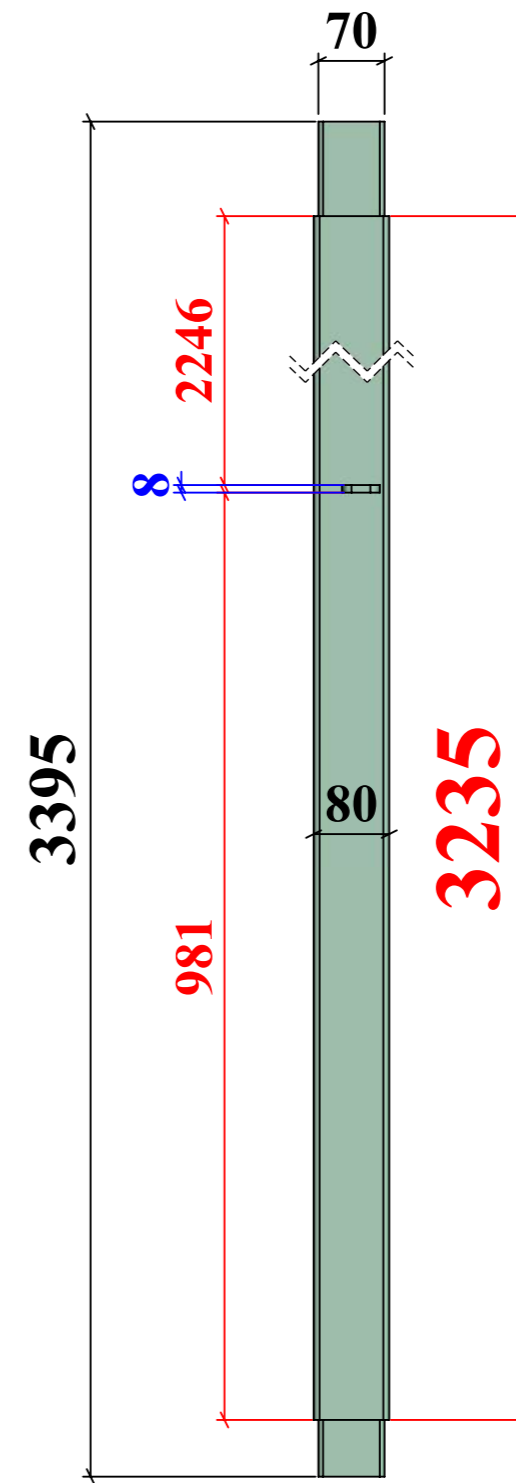
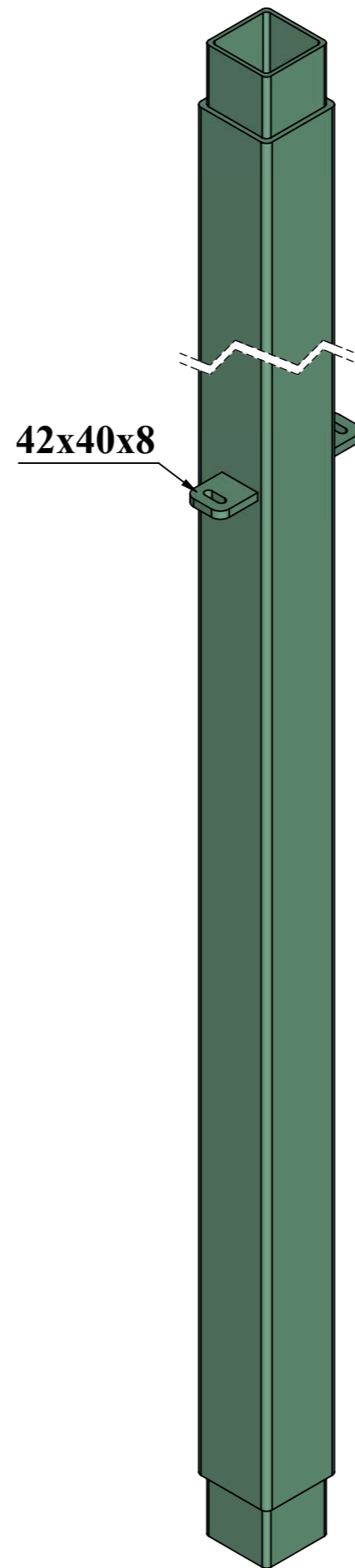
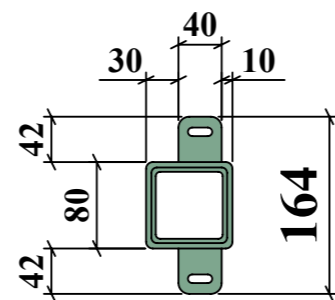
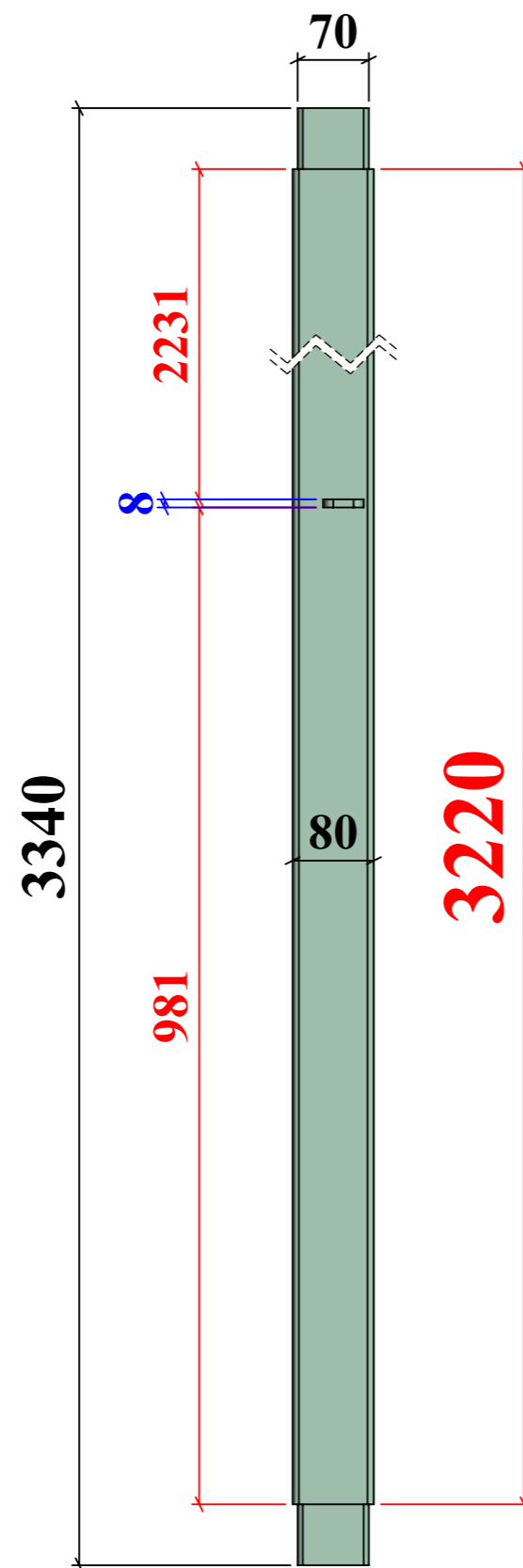
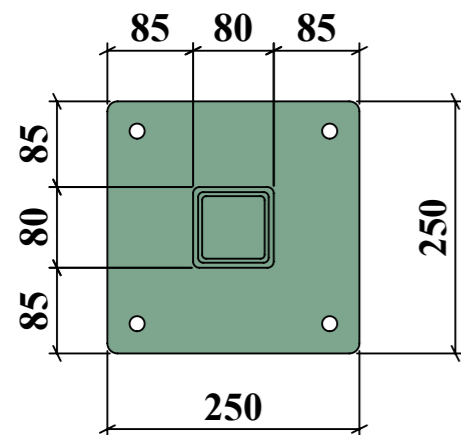
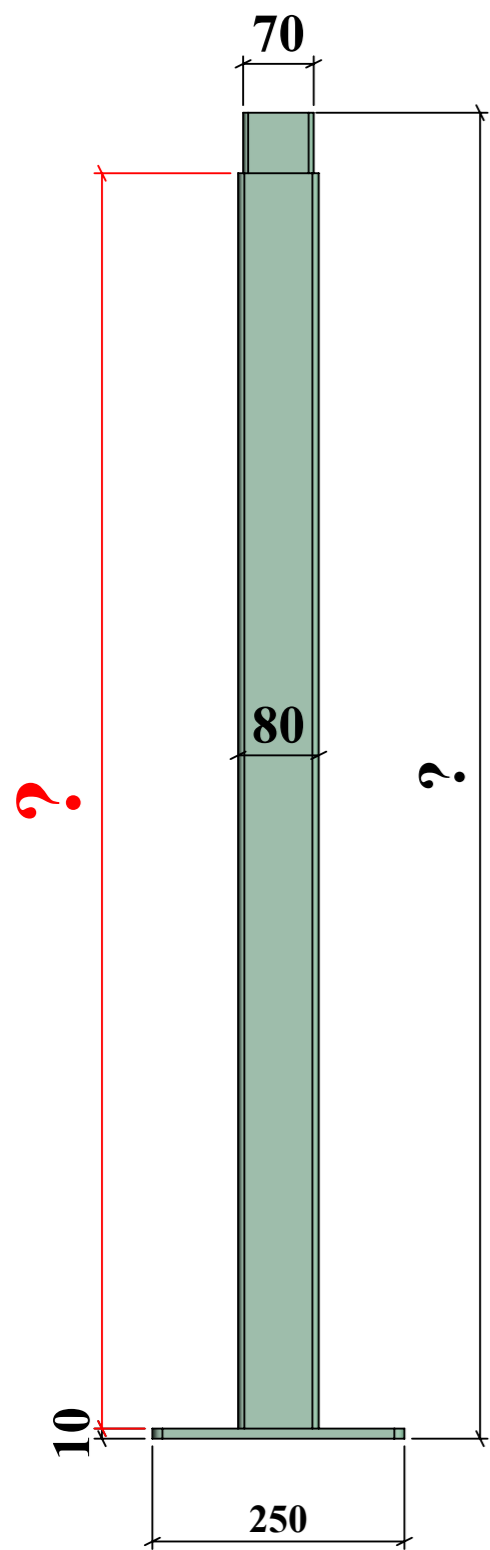
**Kati\_III**



**Kati\_I**



Name: <b>F. Zylfiu</b>		Date: <b>12.12.2025</b>		Firm: <b>Dekor M&amp;V</b>	
DRAWN		SIGNATURE		TITLE: <b>Humbold Str. 8</b>	
CHK'D		MATERIAL		<b>02763 Zittau</b>	
APPV'D				DWG NO.	
MFG				<b>Balkon Typ_2</b>	
Q.A				A3	



Name: <b>F. Zylfiu</b>		Date: <b>12.12.2025</b>		Firm: <b>Dekor M&amp;V</b>	
DRAWN		SIGNATURE		TITLE: <b>Humbold Str. 8</b>	
CHK'D				<b>02763 Zittau</b>	
APPV'D				DWG. NO. <b>Balkon Typ_2</b>	
MFG					
Q.A					
					A3