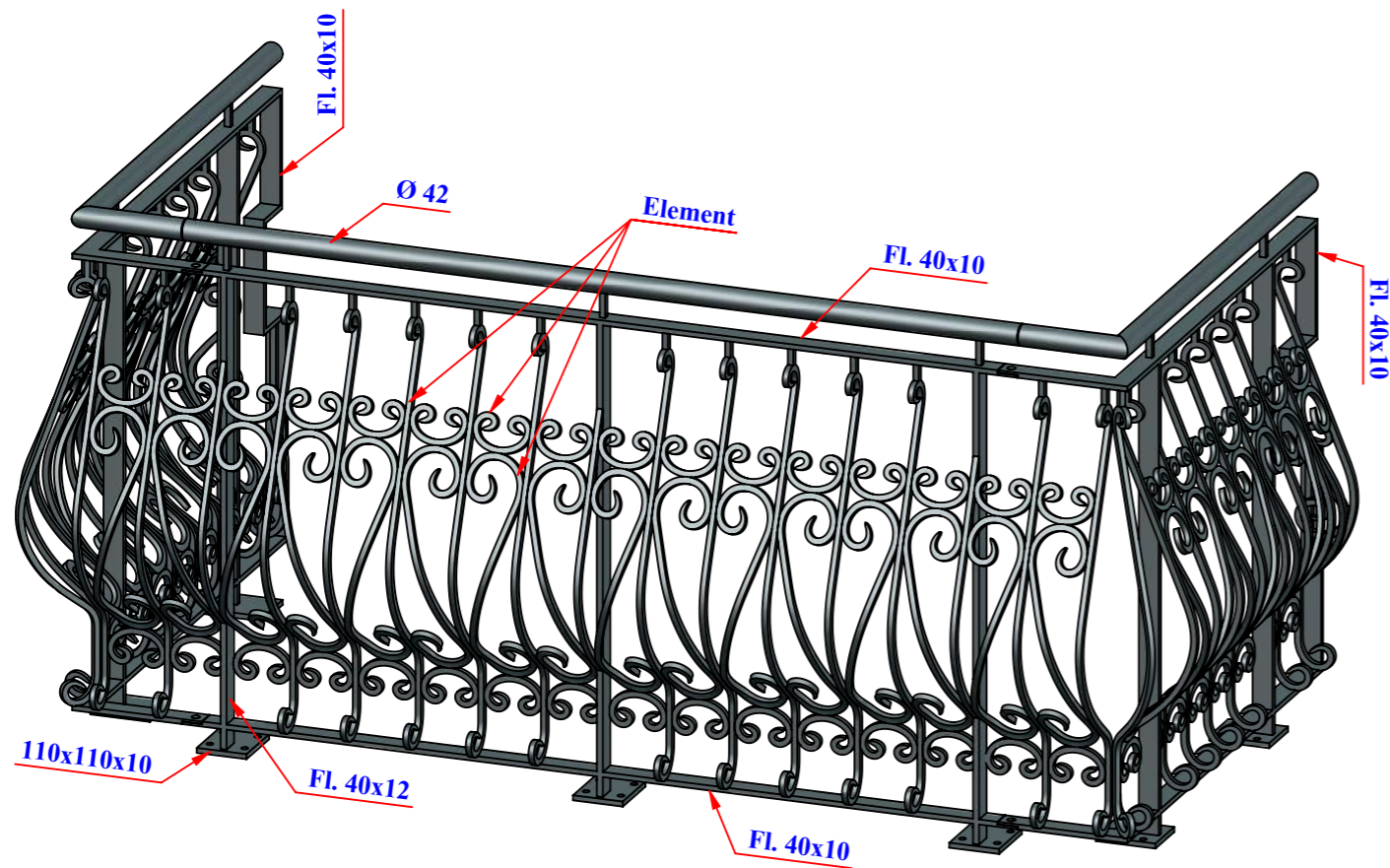
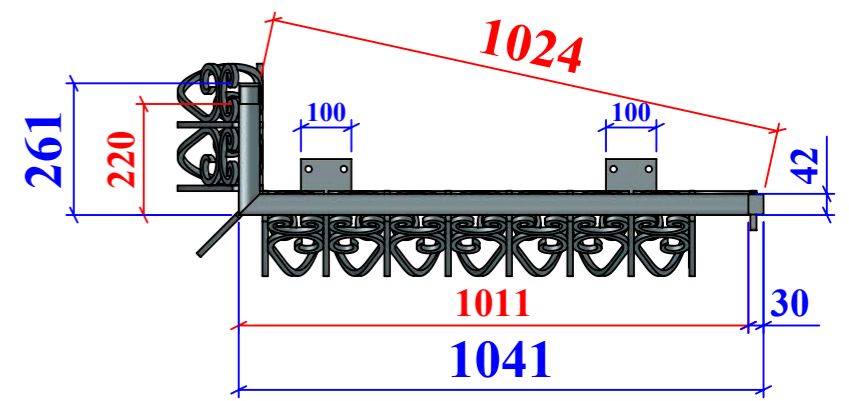
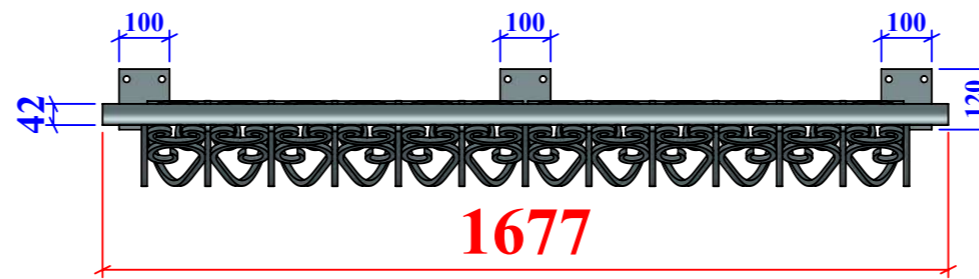
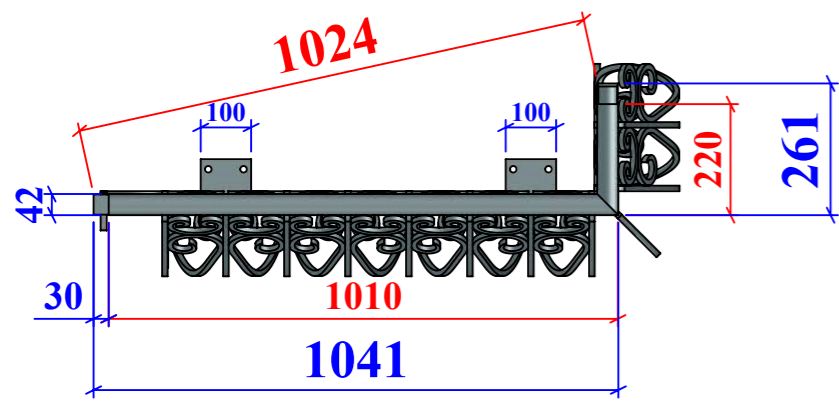
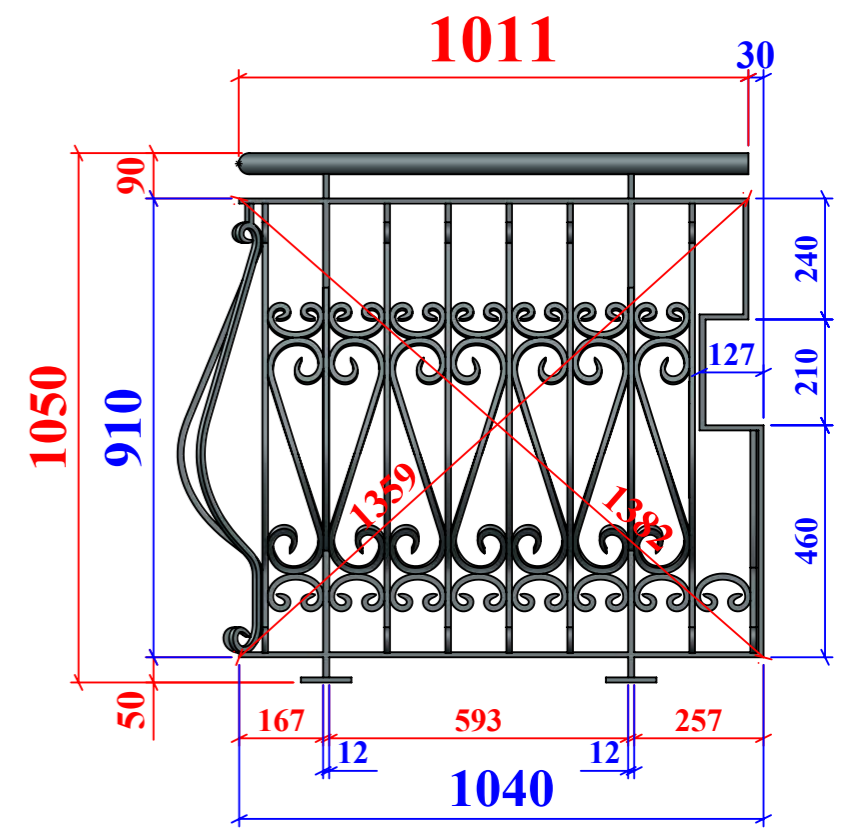
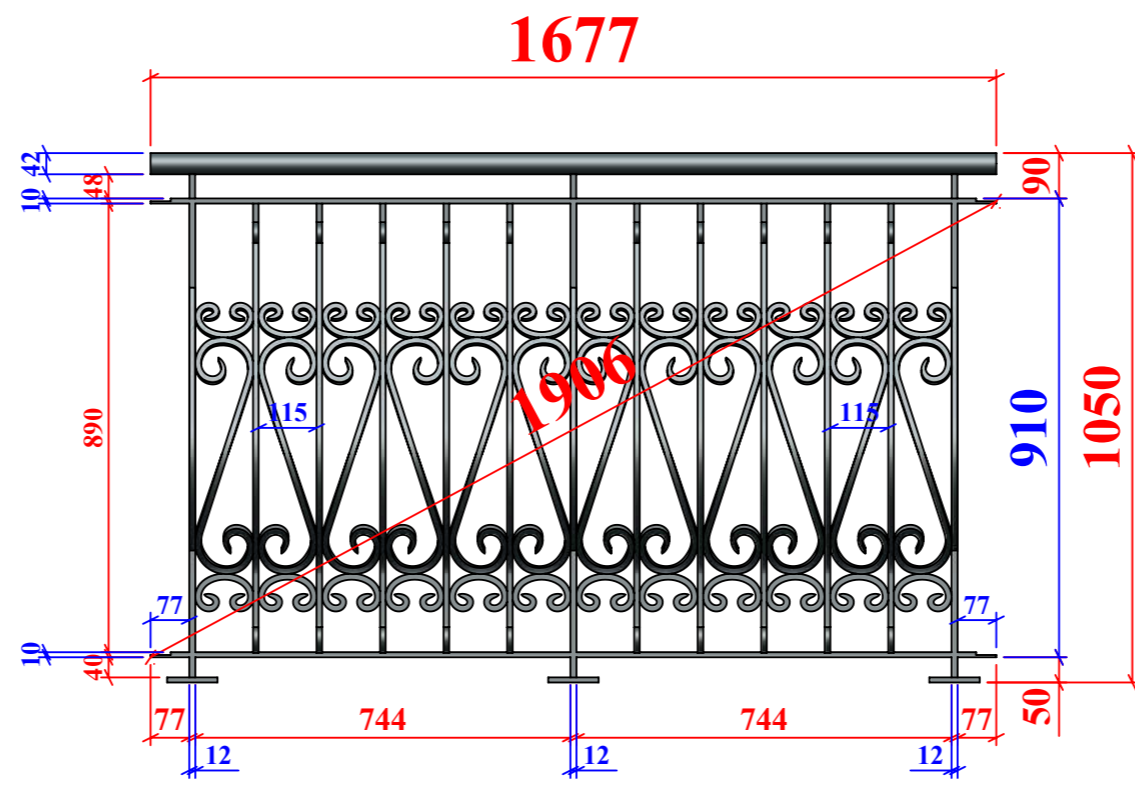
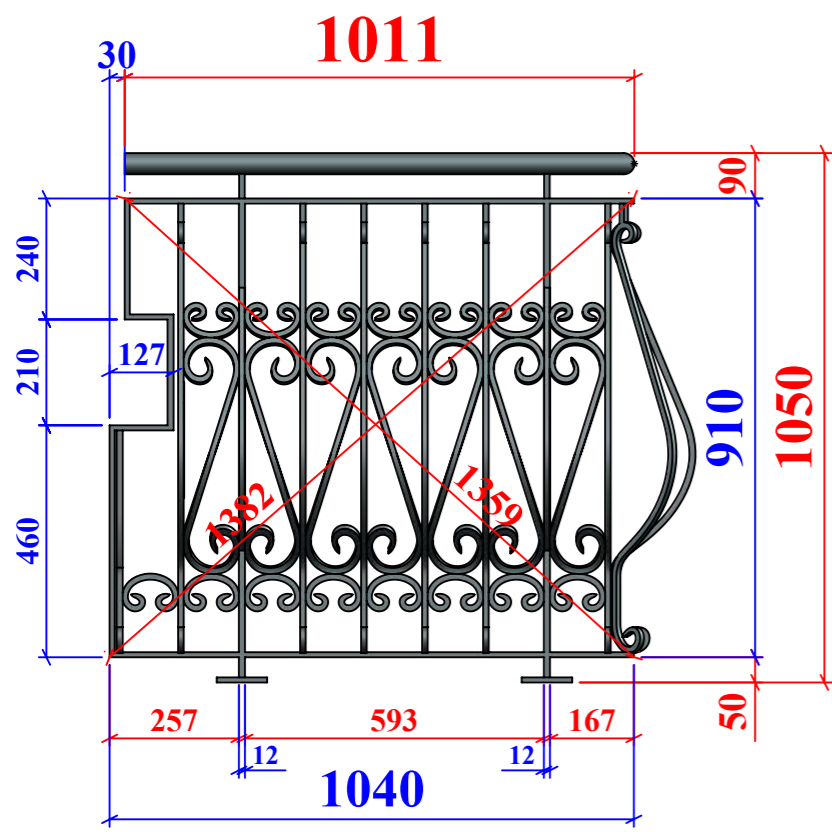


Name:	<b>F. Zylfiu</b>	Date:	<b>04.02.2026</b>	Firma:	<b>Dekor M&amp;V</b>
DRAWN		SIGNATURE		TITLE:	<b>Humbold Str. 8 02763 Zittau</b>
CHK'D					
APPV'D					
MFG				DWG NO.	
Q.A					
<b>Balkon Typ_3</b>					A3



Name: <b>F. Zylfiu</b>		Date: <b>06.03.2026</b>		Firma: <b>Dekor M&amp;V</b>	
DRAWN	NAME	SIGNATURE	MATERIAL	TITLE: <b>Humbold Str. 8 02763 Zittau</b>	
CHK'D					
APPV'D					
MFG					
Q.A.				DWG NO.	<b>Gelnäder_VI - 1 Copë</b>
					A3