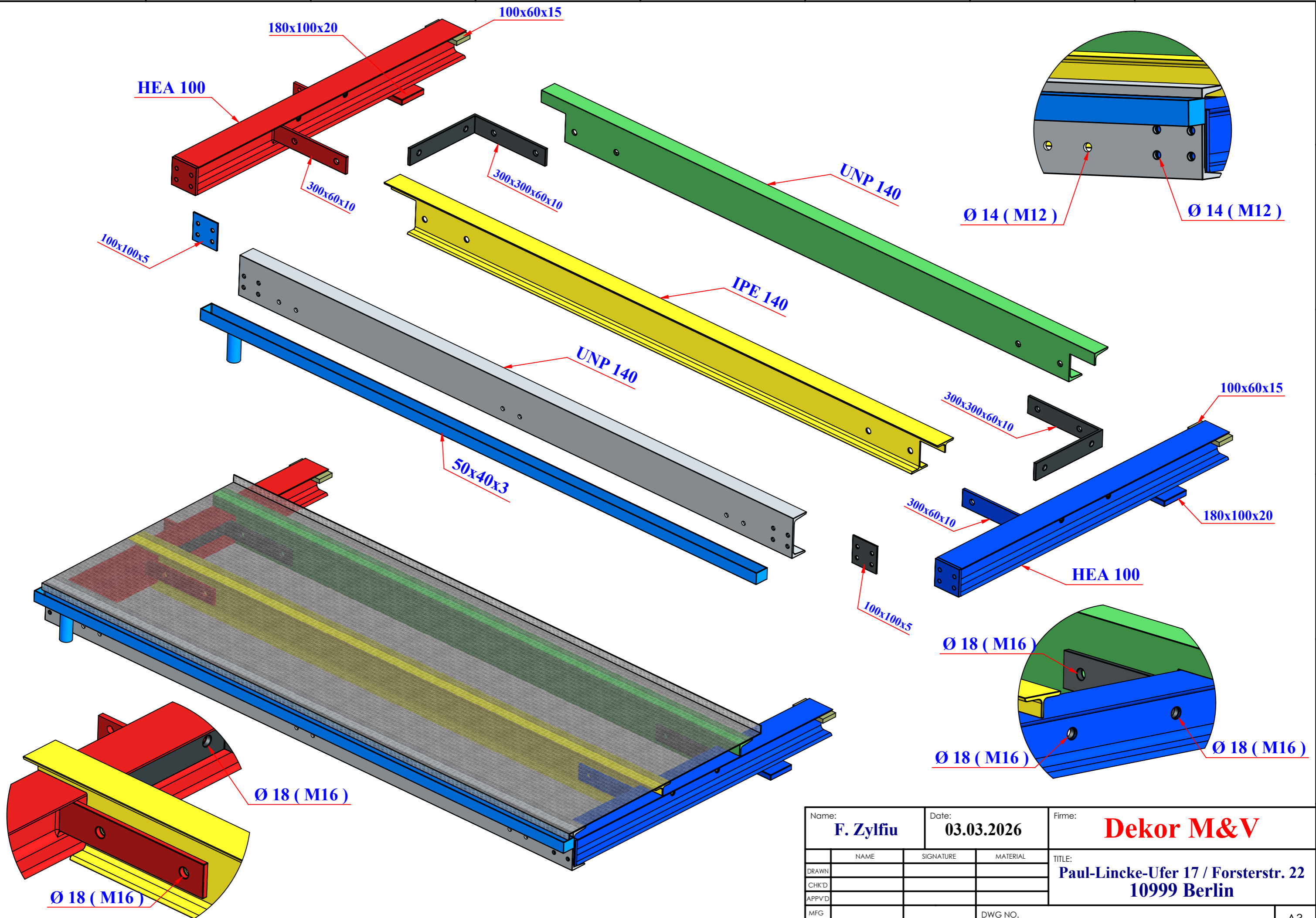
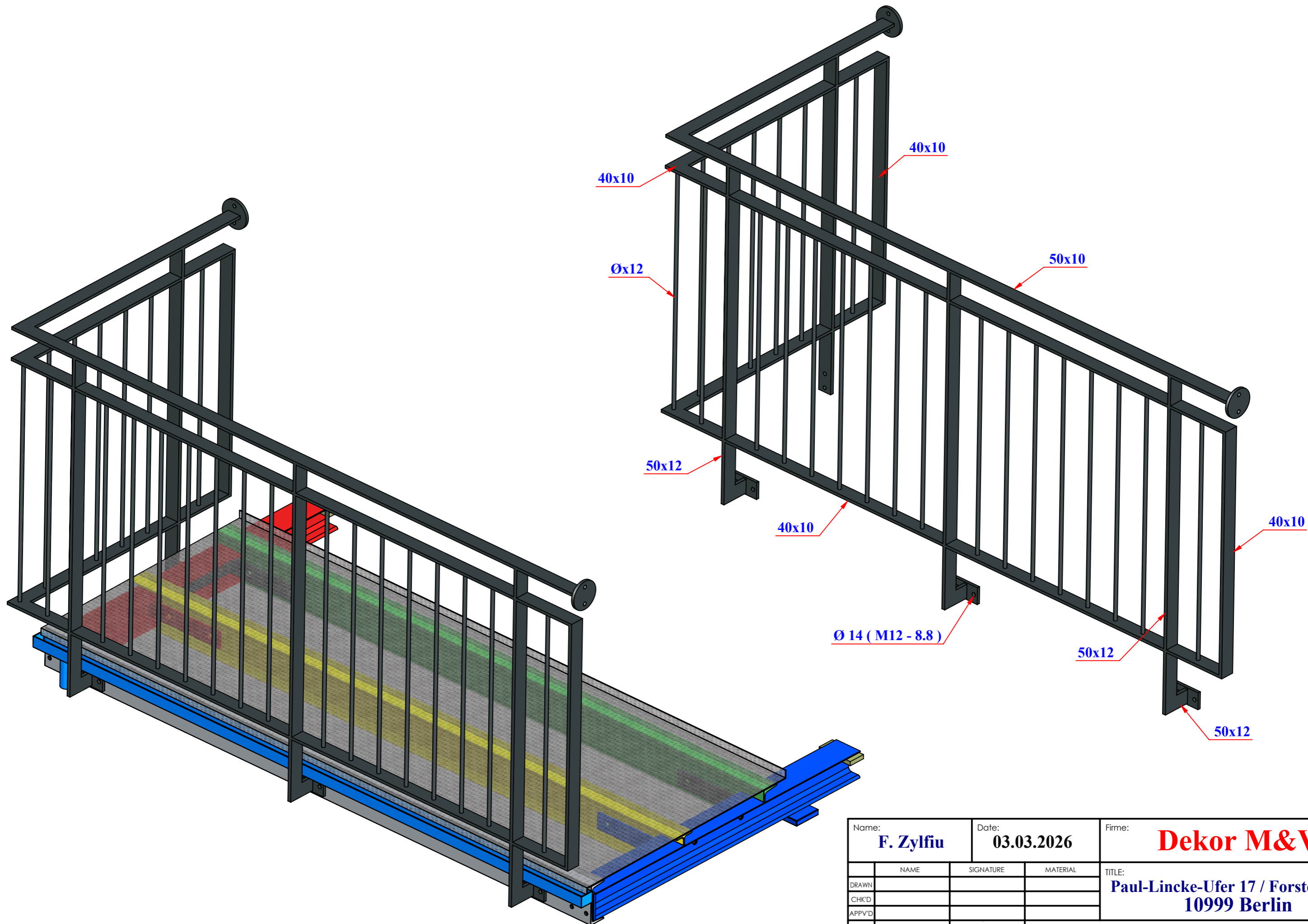


Name: F. Zylfiu		Date: 03.03.2026		Firm: Dekor M&V	
DRAWN		SIGNATURE		TITLE: Paul-Lincke-Ufer 17 / Forsterstr. 22 10999 Berlin	
CHK'D					
APPV'D					
MFG				DWG NO.	
Q.A				Balkongelander_ (2400x1025 mm)	
					A3



Name: F. Zylfiu		Date: 03.03.2026		Firm: Dekor M&V	
DRAWN		SIGNATURE		TITLE: Paul-Lincke-Ufer 17 / Forsterstr. 22 10999 Berlin	
CHK'D		MATERIAL		DWG. NO. Balkongelander_ (2400x1025 mm)	
APPV'D					
MFG					
Q.A					
					A3



Name: F. Zylfiu		Date: 03.03.2026		Firme: Dekor M&V	
DRAWN		SIGNATURE		TITLE: Paul-Lincke-Ufer 17 / Forsterstr. 22 10999 Berlin	
CHK'D					
APPV'D					
MFG				DWG. NO.	
Q.A				Balkongelander_ (2400x1025 mm)	
					A3